

SPEC:

A. Material

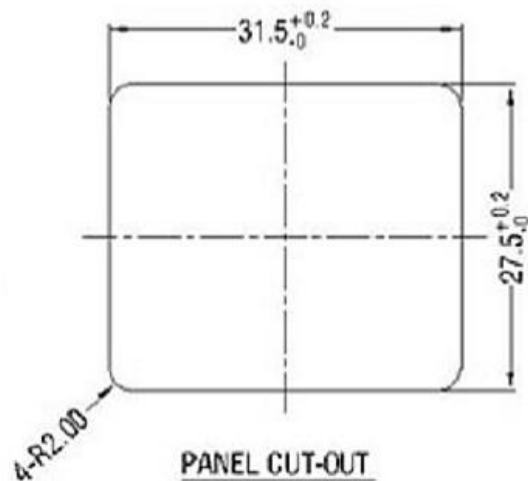
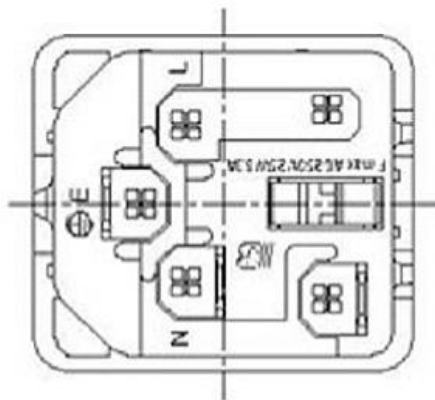
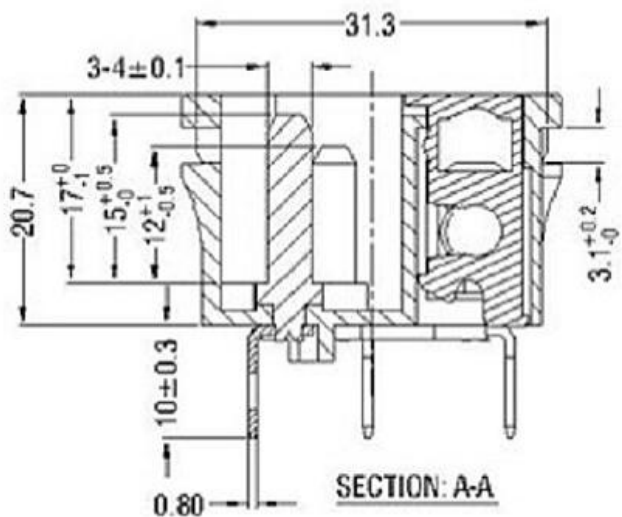
- 1. Housing: PA66
- 2. Terminal: COPPER ALLOY, TIN PLATED

B. Electrical Characteristics:

- 1. Rating: 10A 250V--
- 2. Electric Strength: AC 2,000 V FOR ONE MINUTE
- 3. Insulation Resistance: 100MΩ MIN. AT 500V DC

C. Approvals:

UL, CUL, CCC, VDE



				普通公差 COMMON TOLERANCE:	 东莞市高迪电子有限公司					
				UP TO 5 ±0.20					单位	mm
				ABOVE 5 TO 30 ±0.30	绘图	林晓良	核对		型号	
				ABOVE 30 ±0.50	日期	19. 08. 12	核准		料号	KD-AC电源插座
REV.	DATE	REVISION DESCRIPTION	ISSUE	ANGULAR ±5°			核 准		PART NO.	